

INSTALLATION INSTRUCTION MAXIMUM DUTY CONVECTOR SERIES MD/8800

READ COMPLETE INSTRUCTIONS AND PRECAUTIONARY STATEMENTS BEFORE INSTALLING HEATERS.

CAUTION HAZARD OF ELECTRICAL SHOCK. DISCONNECT ALL POWER BEFORE SERVICING.

DO NOT OPERATE HEATER WITH FRONT COVER REMOVED.

THIS HEATER GENERATES HIGH TEMPERATURES. KEEP ELECTRICAL CORDS, DRAPES AND OTHER FURNISHINGS AWAY FROM HEATER.

- * SELECT MOUNTING LOCATION ON VERTICAL WALL WHICH WILL PROVIDE AN UNRESTRICTED SPACE IN FRONT OF HEATER.

ALLOW THE FOLLOWING MINIMUM CLEARANCE'S FROM WALLS OR OBSTRUCTIONS:

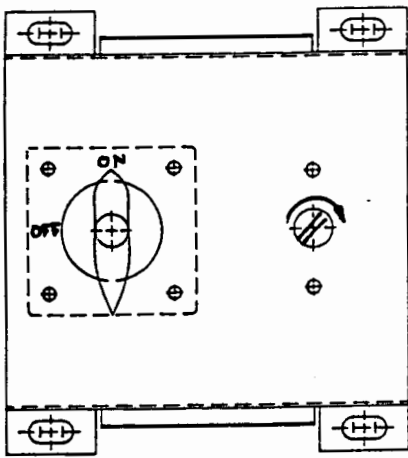
12" FROM LEFT END OF HEATER TO ALLOW EASY ACCESS FOR INSTALLING AND OPERATIONAL ADJUSTMENTS.

1" FROM RIGHT END TO PROVIDE ACCESS FOR COVER REMOVAL.

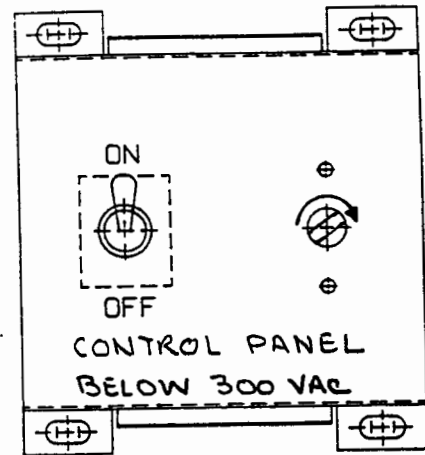
4" FROM FINISHED FLOOR TO BOTTOM OF FRONT COVER.

DISCONNECT POWER BEFORE SERVICING.

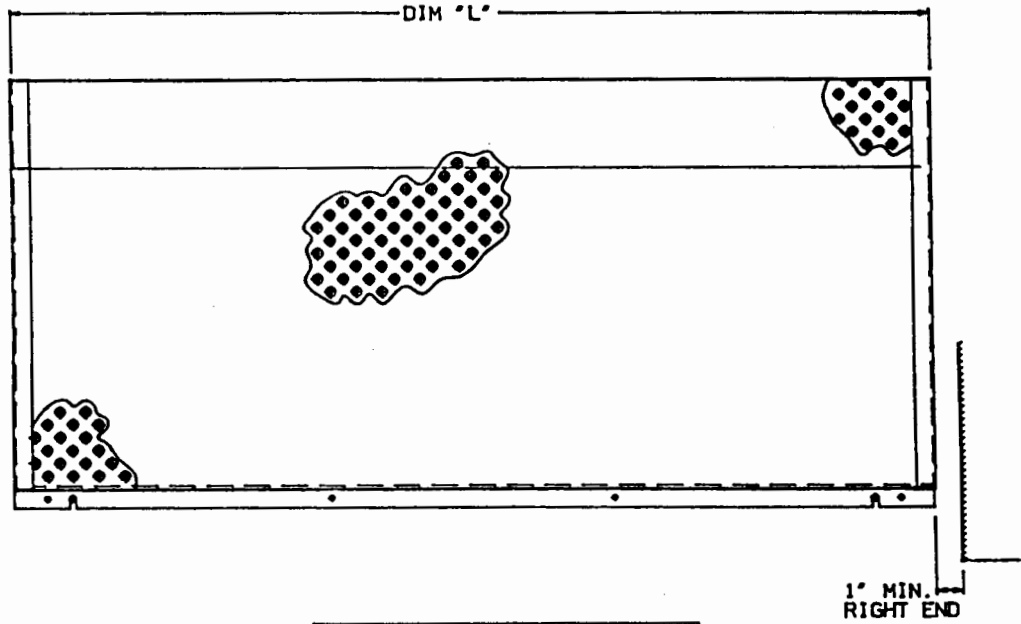
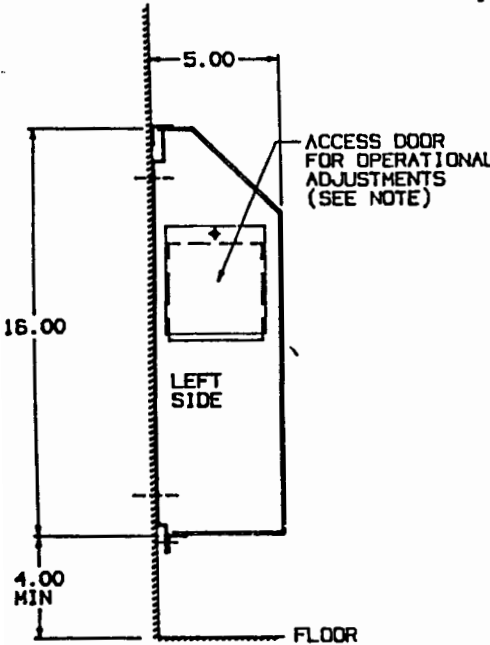
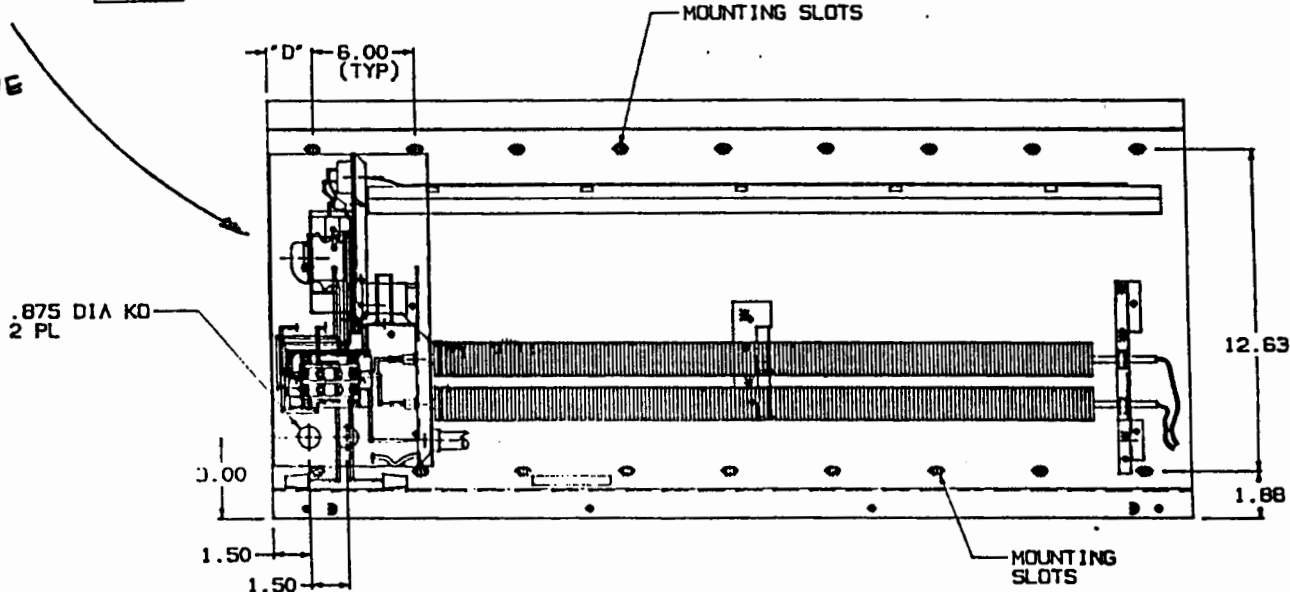
- * REMOVE FRONT COVER AND PUNCH OUT SELECTED KNOCKOUT LOCATED IN LOWER LEFT OF BACK PANEL. USING APPROVED CONNECTORS, AND WIRING METHODS RUN SUPPLY WIRES TO JUNCTION BOX AREA.
- * MOUNT BACK PANEL OF HEATER TO SELECTED VERTICAL WALL. MAKE SURE THAT ALLOWANCE FROM ADJACENT WALLS IS CONSIDERED AS STATED ABOVE.
- * VERIFY THAT SUPPLY VOLTAGE AND HEATER NAMEPLATE VOLTAGE ARE THE SAME. USING TWIST CONNECTORS CONNECT L1 AND L2 TO LINE SUPPLY. CAUTION FINS MAY CAUSE CUTS DO NOT TOUCH.
- * REPLACE FRONT COVER BEING CAREFUL NOT TO DAMAGE ELEMENTS. RE-STRAIGHTEN FINS IF NEEDED.
- * REPLACE NO. 10-32 SCREWS ALONG BOTTOM EDGE OF HEATER.



CONTROL PANEL ABOVE 300 VAC



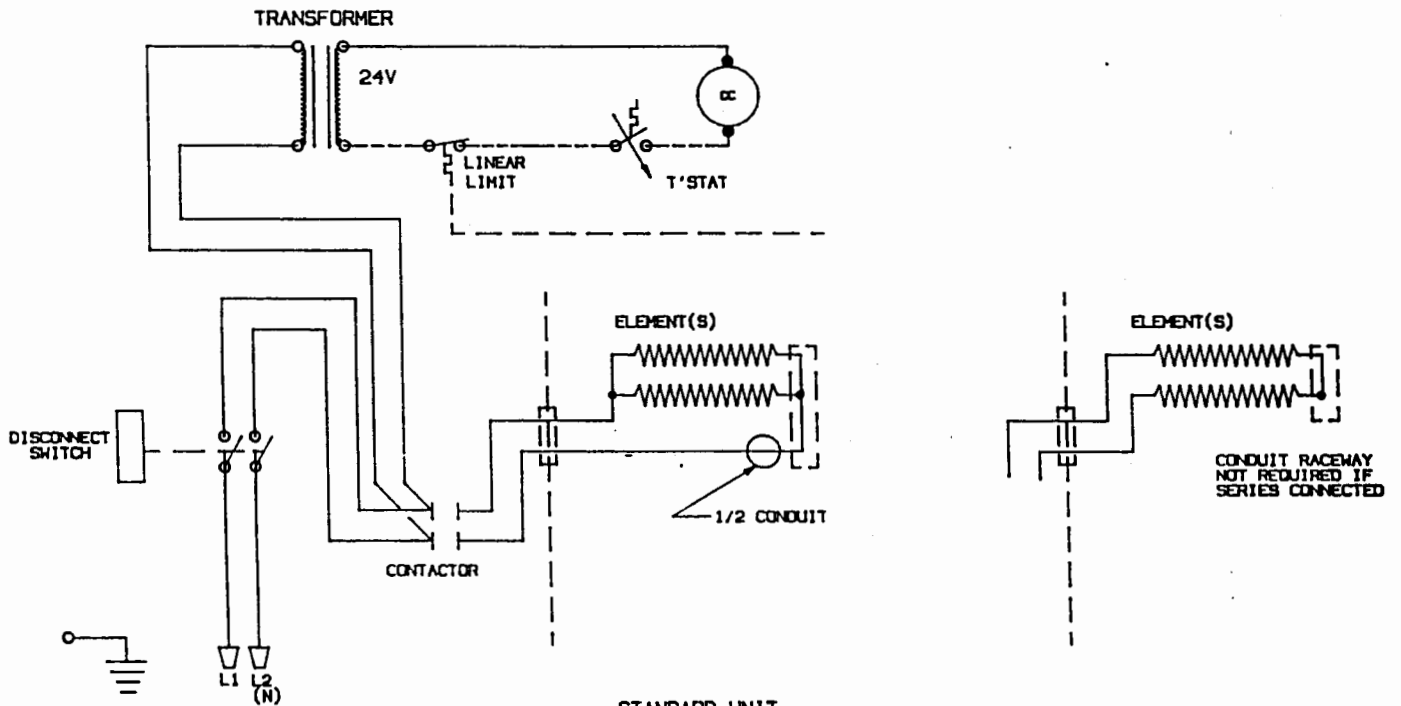
CONTROL PANEL BELOW 300 VAC



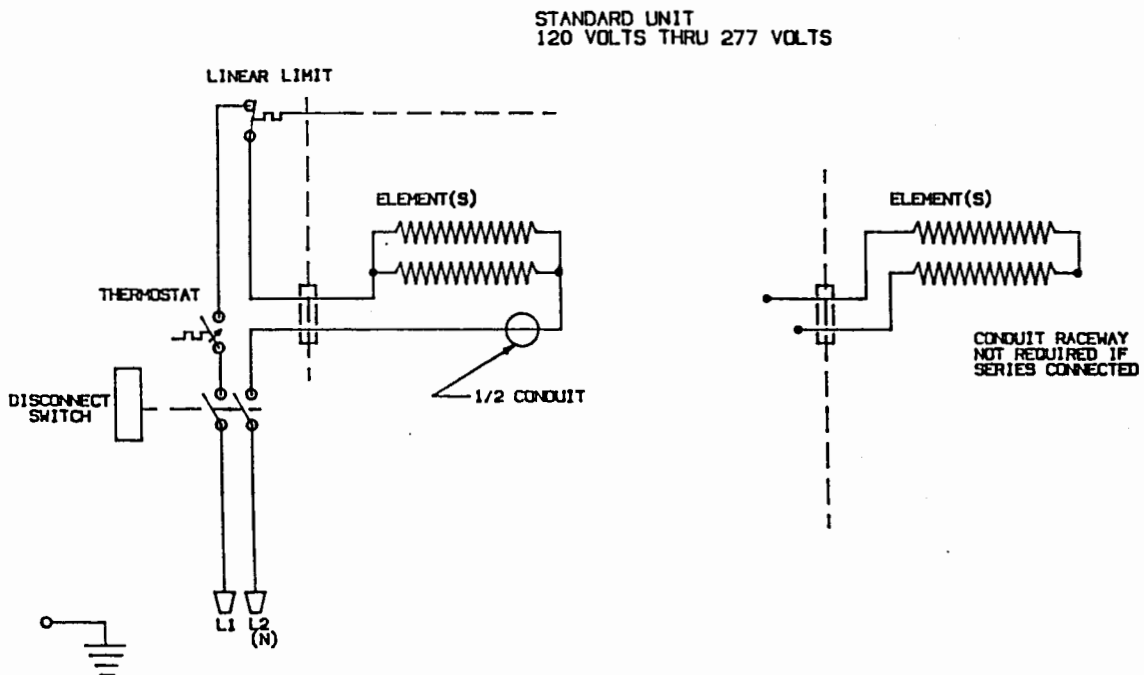
NOTE: ALLOW 12 INCHES CLEARANCE FROM ADJACENT OBSTRUCTIONS FOR EASY ACCESS (LEFT END)

UNIT LGTH DIM *L* IN.	MAX. WATTS	DIM *D*
18	500	2.84
24	750	1.84
36	1000	2.84
48	1250	2.84
60	1500	2.84
72	2000	2.84

UNIT WIRING DIAGRAMS



STANDARD UNIT
346 VOLTS THRU 600 VOLTS
OR LOW VOLTAGE CONTROL OPTION



STANDARD UNIT
120 VOLTS THRU 277 VOLTS