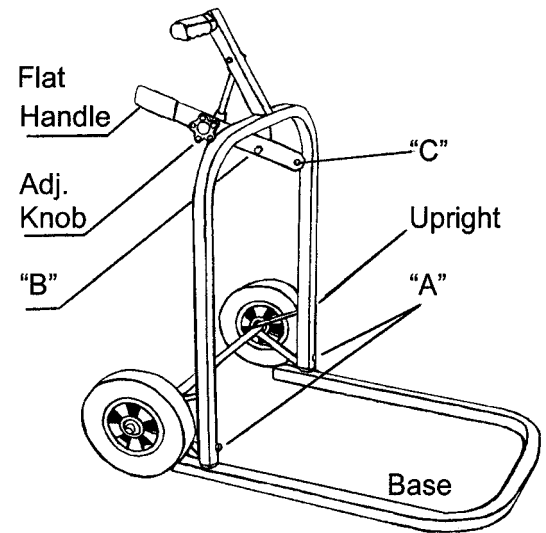


# Assembly Instructions for Fan Cart Model VS2430FC

1. Attach upright to base at point "A" using a 1/2" wrench.
2. Attach flat handle to upright at point "B".
3. Attach motor yoke to fan cart at point "C".

\*\* Fan can be tilted by loosening adj. knob and moving flat handle up or down.



**800-779-3267**

sales@schaefervent.com • www.schaefervent.com

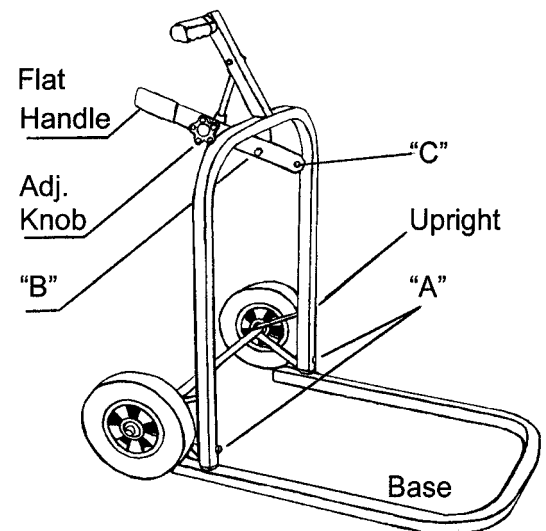
©2006 Schaefer Ventilation Equipment

I-FC.03-03

# Assembly Instructions for Fan Cart Model VS2430FC

1. Attach upright to base at point "A" using a 1/2" wrench.
2. Attach flat handle to upright at point "B".
3. Attach motor yoke to fan cart at point "C".

\*\* Fan can be tilted by loosening adj. knob and moving flat handle up or down.



**800-779-3267**

sales@schaefervent.com • www.schaefervent.com

©2006 Schaefer Ventilation Equipment

I-FC.03-03