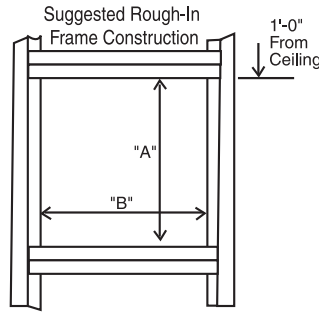


Fiberglass Flushmount Style Exhaust Fans

FMN SERIES INSTALLATION AND MAINTENANCE INSTRUCTIONS



Rough-In Opening Dimensions

Model	Height (A)	Width (B)
FMN3600, FMN3606	43 ³ / ₄ "	43 ¹ / ₂ "
FMN4800, FMN4806	56 ¹ / ₄ "	55 ³ / ₄ "
FMN5200, FMN5206	59 ¹ / ₄ "	59 ¹ / ₄ "

INSTALLATION PROCEDURE

1. After the correctly sized opening is made in the wall, the fan unit should be placed into the opening and secured with appropriate fasteners for the application.
2. Once the unit has been securely fastened to the wall, the fan is ready to be wired. Consult your local electrician.
3. Flashing should be attached across the top of the fan on the outside of the building. Caulking can be used on the sides of the fan housing to assure a tight seal.

4. Install the shutter:

FMN3600 series - There are four (4) shutter latches supplied with each fan which are used to hold the shutter in place. These latches should be positioned with two (2) on the top and (2) on the bottom in the designated holes on the fan panel.

FMN4800 and FMN5200 series - There are six (6) shutter latches, position two on the top, two on the bottom and two on the sides.

Note - Be sure to use two (2) washers for each shutter latch (see Figure 1).

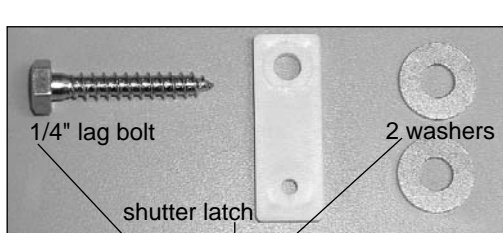


Figure 1

Assemble shutter latch parts as shown.

interior of building

FMN4800 and FMN5200 series only

exterior of building

NOTE

Shutter is on the inside of the building, and the fiberglass housing extends outside of the building.

MAINTENANCE INSTRUCTIONS

These fan units are built with heavy duty components; designed to give many years of performance. However, they do require a small amount of periodic maintenance to assure maximum life of the equipment and efficient operation.

The fan motors have sealed ball bearings which require no oiling. The pillow block bearings require periodic greasing.

Periodically clean any dust and grime that has accumulated on the motor, fan blade and shutter.

PRESSURE WASHING THE UNIT WILL VOID THE WARRANTY.



800-779-3267

sales@schaefervent.com • www.schaefervent.com