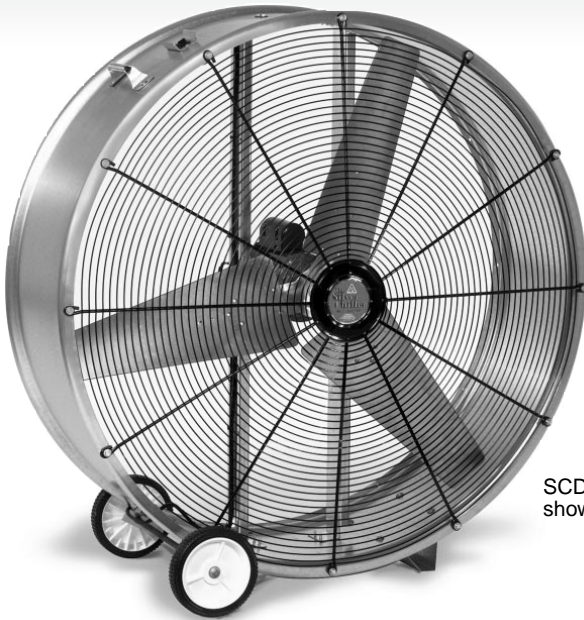


**OWNER'S
MANUAL**
Read and save
for future
reference

The Silver Chiller

PORTABLE COOLER



- Installation
- Operation
- Repair parts

SCD 4213
shown

OWNER'S RECORD Please complete for future reference.

Model # _____ Serial # _____

Purchased from _____

Date Purchased _____



**TRIANGLE ENGINEERING
OF ARKANSAS, INC.**

E-mail: mail@trianglefans.com • Website: www.trianglefans.com
1101 North Redmond Road • Jacksonville, Arkansas 72076
(501) 982-7558 • Fax (501) 982-5691 • **1-800-255-9014**

IMPORTANT: READ INSTRUCTIONS CAREFULLY BEFORE ATTEMPTING TO INSTALL, OPERATE OR SERVICE THIS FAN. FAILURE TO COMPLY WITH INSTRUCTIONS COULD RESULT IN PERSONAL INJURY AND/OR PROPERTY DAMAGE.

DESCRIPTION: The SILVER CHILLER is a direct drive fan designed for heavy duty use in the agricultural, livestock and poultry industries. It is also great for laundries, dry cleaners, patios, decks, machine and auto shops; anywhere that convenient air movement is required.

It is easily rolled to various locations on sturdy wheels. The unit is constructed of cold rolled steel with a galvanized finish. Guards are made of steel wire with a black powder coat finish and comply with OSHA guarding requirements. The guarded **ON/OFF** switch is conveniently mounted on side of barrel.

GENERAL SAFETY INFORMATION:

1. Your SILVER CHILLER will operate only on 110 Volt AC, 60 HZ (cycle) current with a minimum of a 15 Amp circuit.
2. **WARNING:** To reduce the risk of electric shock, **DO NOT** expose to water or rain. To guard against electric shock while the fan is connected to power source, **DO NOT PERMIT** fan to come in contact with other grounded objects such as pipes, radiators, ranges, etc.
3. **DO NOT ABUSE POWER CORD. DO NOT** pull on cord to remove from electrical receptacle. Keep cord away from heat, oil and sharp edges. Inspect cord periodically, replacing if damaged.
4. Disconnect the fan when not in use, before servicing and cleaning, and when repairing or replacing parts.
5. **DO NOT** carry or move the fan when connected to power source. Be sure switch is "**OFF**" prior to connecting to power source.
6. When the SILVER CHILLER is used outdoors with extension cord, use cord of proper size (Amp rating) only, UL listed and with receptacle to accept 3-prong grounded plug furnished on the fans power cord. Only round jacketed extension cords should be used.

7. Before operating this fan, check for worn or damaged parts and replace or repair if required. To avoid risk of fire, electrical shock or other injury, disconnect from power source before servicing.
8. **DO NOT** operate the SILVER CHILLER near flammable liquids or in gaseous or explosive atmospheres as sparks from motor may ignite fumes.
9. If the wire guards are removed, replace before normal operation.
10. In case of power failure, turn off the fan at switch. This will prevent motor burn out and/or unexpected restarting.

WARNING: TO REDUCE THE RISK OF FIRE OR ELECTRICAL SHOCK DO NOT USE THIS FAN WITH ANY SOLID STATE FAN SPEED CONTROL DEVICE.

Model SCD 4213 does not require assembly. Simply locate fan in desired position, connect power cord, and fan is ready for operation.

SERVICE

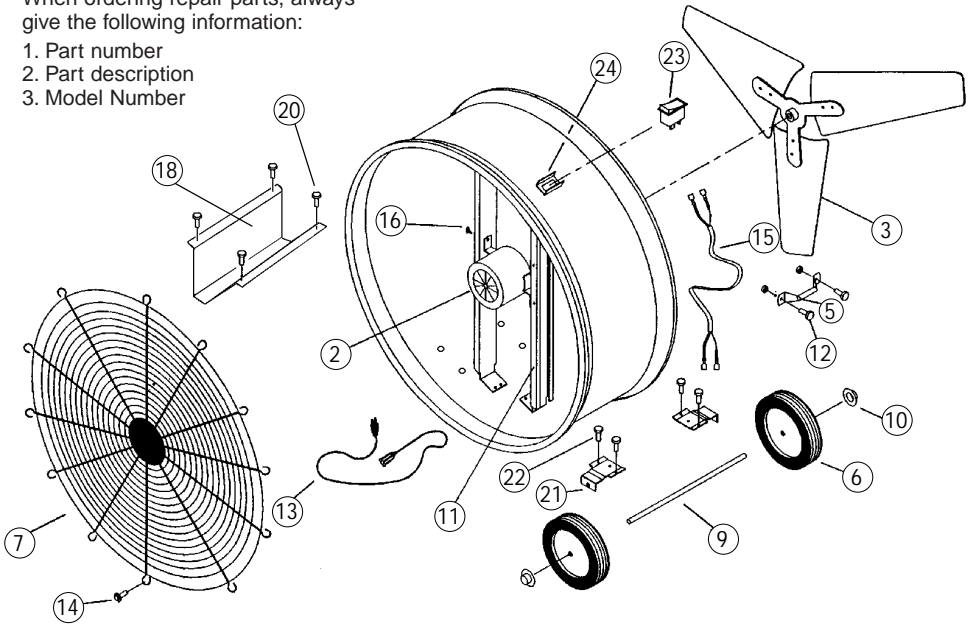
WARNING: DISCONNECT FROM POWER SOURCE BEFORE SERVICING MOTOR AND FAN BLADE CLEANING.

1. Motors are lubricated at the factory to operate for long periods under normal conditions without re-lubrication. However, after three (3) years of normal or one (1) year of heavy duty service, add a few drops of SAE #10 or #20 electric motor oil. **DO NOT OVER LUBRICATE AS THIS CAN DAMAGE MOTOR.**
2. Clean motor surfaces and ventilation openings periodically, preferably with a vacuum cleaner. Heavy accumulations of dust and lint will result in overheating and premature motor failure.
3. Keep guards and blade clean by vacuuming and wiping periodically.

REPAIR PARTS

When ordering repair parts, always give the following information:

1. Part number
2. Part description
3. Model Number



DISASSEMBLY

1. Remove the screws that attach wire guard **ON THE FAN BLADE SIDE ONLY**.
2. Once screws are removed, the guard may be removed from barrel.
3. Proceed with cleaning & lubrication.

KEY PART NO. NO.

DESCRIPTION

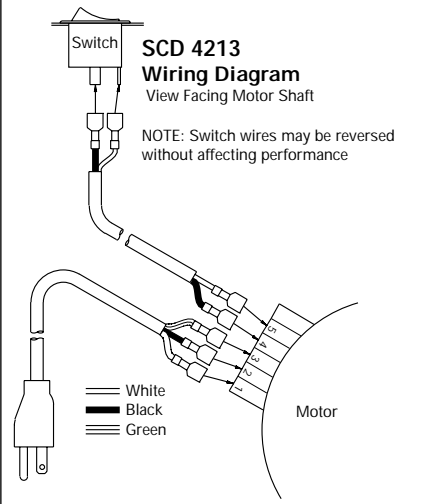
- | KEY PART NO. NO. | DESCRIPTION |
|-------------------------|----------------------------------|
| 2.....PMTR-SCD4213..... | 1/2 hp. one-speed motor |
| 3.....PFB3-SCD4213..... | 42", 3-wing blade assembly |
| 6.....PSCD-Wheel..... | Wheel |
| 7.....PSCD-Guard42..... | Fan guard, 42" (2 req'd) |
| 9.....PSCD-Axle..... | Axle, 20" |
| 10....PSCD-15R..... | Wheel cap (2 req'd) |
| 11....PSCD-MMR..... | Motor mount rail (2 req'd) |
| 13....PSCD-PWRCORD..... | Power cord |
| 14....PSCREW..... | Fan guard screws |
| 15....PSCD-SWICORD..... | Switch cord, single speed |
| 16....PP18T..... | Motor bolts/nuts/washers (2 ea.) |
| 18....PSCD-LEG..... | Leg (1 req'd) |
| 20....P-Screw..... | Sheet metal screws |
| 21....PSCD-C22X..... | Axle brackets (set of 2) |
| 22....P12-SCREW..... | #12 screws for axle bracket |
| 23....PSCD-SWI..... | Switch, single speed |
| 24....PSCD-SWGD..... | Switch guard |

SCD 4213

Wiring Diagram

View Facing Motor Shaft

NOTE: Switch wires may be reversed without affecting performance



TROUBLESHOOTING

| SYMPTOM | POSSIBLE CAUSE | CORRECTIVE ACTION |
|---|---|---|
| Fan does not operate | <ol style="list-style-type: none"> 1. Faulty switch 2. Defective motor 3. No power | <ol style="list-style-type: none"> 1. Replace switch 2. Repair or replace motor 3. Inspect power cord for damage Power cord has been removed from plug Fuse has blown or circuit breaker is tripped. |
| Insufficient air flow | <ol style="list-style-type: none"> 1. Intake or exhaust guard is excessively dirty 2. Contaminants have entered the motor | <ol style="list-style-type: none"> 1. Clean Guards 2. Remove and clean or replace motor (SEE NOTE BELOW) |
| Squealing, slapping or whining noises while operating | <ol style="list-style-type: none"> 1. Defective motor bearings 2. Damaged blade | <ol style="list-style-type: none"> 1. Replace motor 2. Replace fan blade |

NOTE: Turning fan on and off in rapid succession will cause motor to over heat.
If this occurs allow motor to cool twenty minutes before resuming operation.

MOTOR REPLACEMENT DURING WARRANTY PERIOD.

If the motor on your SILVER CHILLER should fail during the first year of operation, simply remove the LABEL ONLY from the motor and mail to Triangle Engineering, via certified or registered mail. Once the label is received, and if the motor is still under warranty, we will ship a new motor, UPS PREPAID.

DO NOT RETURN MOTOR. ALSO NOTE WARRANTY BELOW.

LIMITED THREE YEAR WARRANTY

Do not return product to original place of purchase

Triangle Engineering of Arkansas, Inc. (Manufacturer) warrants, from the date of purchase, to the original purchaser only, that the product manufactured by Manufacturer is free from defects in material and workmanship for a period of **THREE (3) YEARS**. Motors, capacitors, v-belts and switches are excluded from this warranty, but shall have a limited one year warranty from date of purchase to the original purchaser.

If a failure of the product occurs, contact the Manufacturer at: 1-800-255-9014 and give the model number of the product, the purchase date, and a description of the problem to the customer service agent.

Once the problem is diagnosed, and proof of purchase date is verified, Manufacturer will have the option of shipping the necessary repair part(s) to the Customer, freight prepaid or having the product returned to Manufacturer for repair or replacement. If the product is returned to the Manufacturer, Customer is responsible for prepayment of all inbound freight charges. Upon repair or replacement, which shall be at the discretion of Manufacturer, the Manufacturer will prepay all outbound freight charges for the return of the product to the customer. However, if Manufacturer finds product to be in operating condition and no problems are diagnosed, product will be returned to customer freight collect.

THERE ARE NO WARRANTIES WHICH EXTEND BEYOND THE DESCRIPTION ON THE FACE HEREOF.

Except as provided by this express warranty, the goods are sold "as is" without any implied warranties.

This limited warranty does not cover labor to replace warranted parts or motors, nor does it cover failure of the installer to provide adequate ventilation to meet minimum exhaust requirements, damage resulting from accident, misuse or abuse, lack of proper maintenance, improper installation, affixing of any parts or attachments not authorized by Manufacturer, or loss of parts.

In no event shall Manufacturer be liable for any special, incidental, or consequential damages; which may result from any defect in material or workmanship.

It is expressly understood that Buyer's sole and exclusive remedy shall be repair or replacement of defective parts, and that Triangle Engineering shall not be liable for injury to persons or property. Should the goods prove so defective, however, as to preclude the remedying of warranted defects by repair or replacement, the Buyer's sole and exclusive remedy shall then be a refund of the purchase price.

This warranty gives you specific legal rights, and you may also have other rights which vary from state to state.